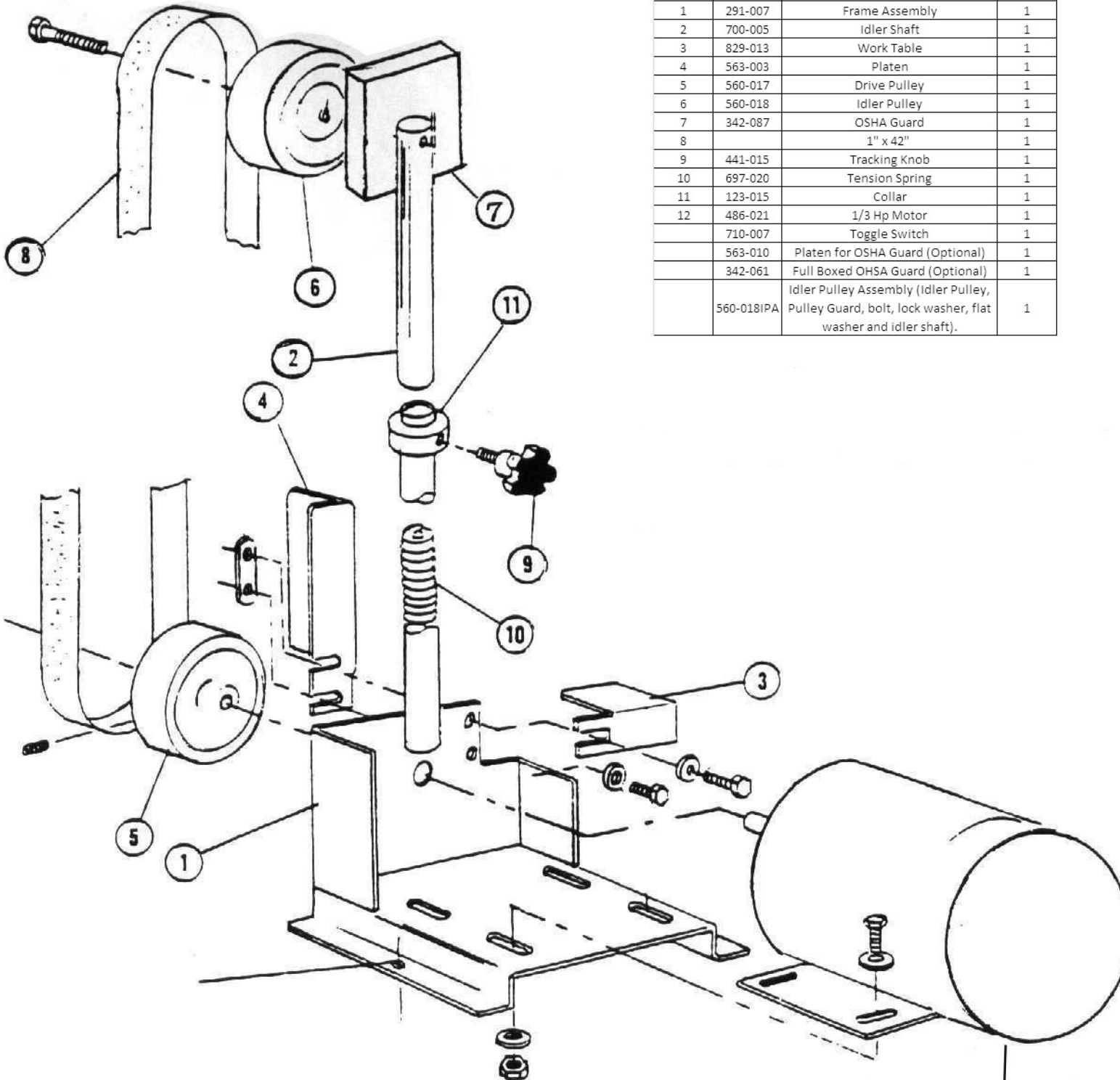


1SM Belt Sander Parts List

No.	Part No.	Description	QTY
1	291-007	Frame Assembly	1
2	700-005	Idler Shaft	1
3	829-013	Work Table	1
4	563-003	Platen	1
5	560-017	Drive Pulley	1
6	560-018	Idler Pulley	1
7	342-087	OSHA Guard	1
8		1" x 42"	1
9	441-015	Tracking Knob	1
10	697-020	Tension Spring	1
11	123-015	Collar	1
12	486-021	1/3 Hp Motor	1
	710-007	Toggle Switch	1
	563-010	Platen for OSHA Guard (Optional)	1
	342-061	Full Boxed OSHA Guard (Optional)	1
	560-018PA	Idler Pulley Assembly (Idler Pulley, Pulley Guard, bolt, lock washer, flat washer and idler shaft).	1



**KI KALAMAZOO INDUSTRIES, INC.**

6856 East K Avenue  
 Kalamazoo, MI 49048  
 269-382-2050 PH  
 269-382-0790 FAX  
[www.kalamazooindustries.com](http://www.kalamazooindustries.com)

12